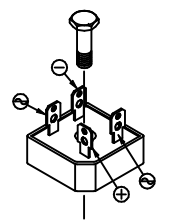
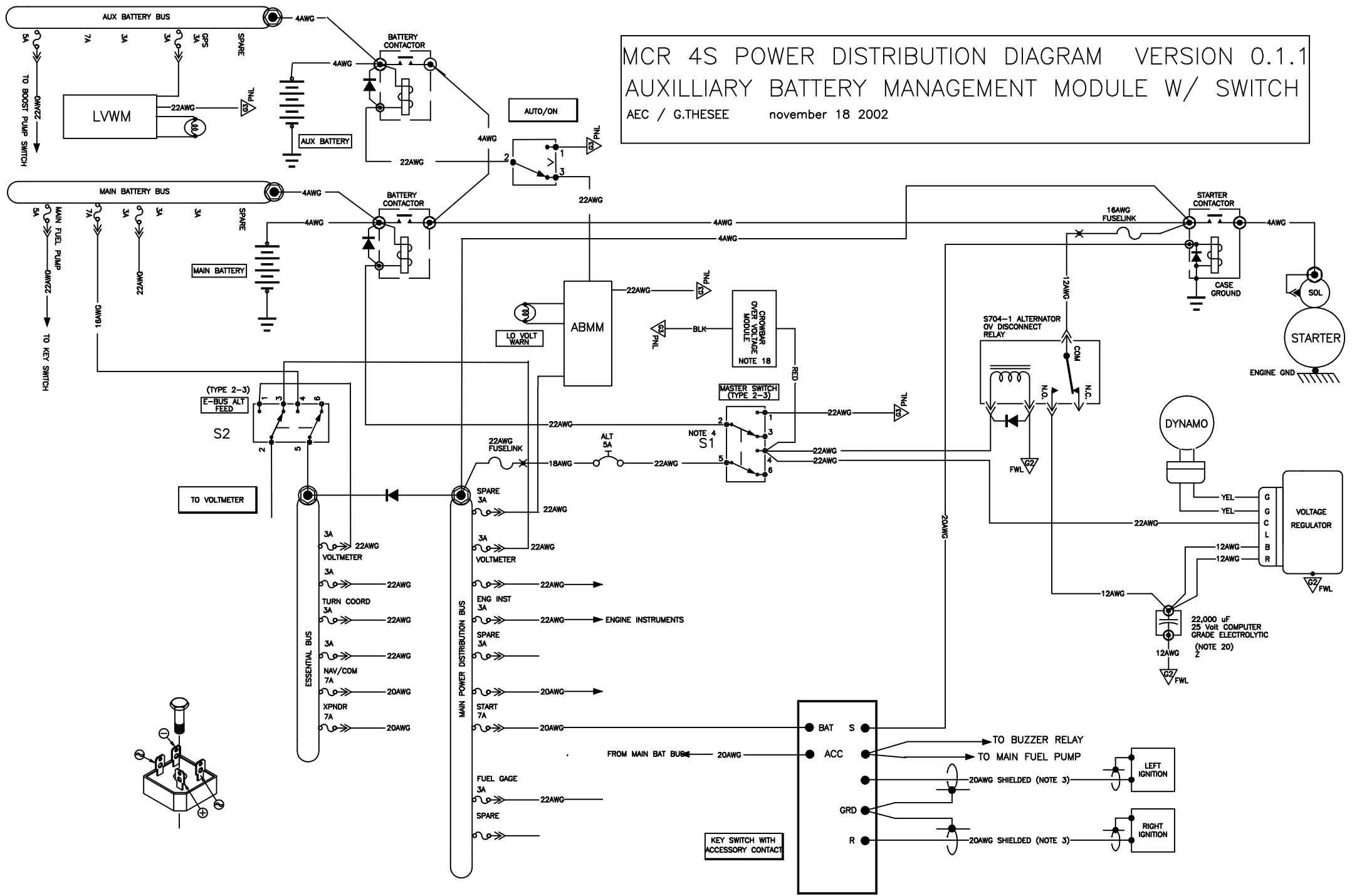
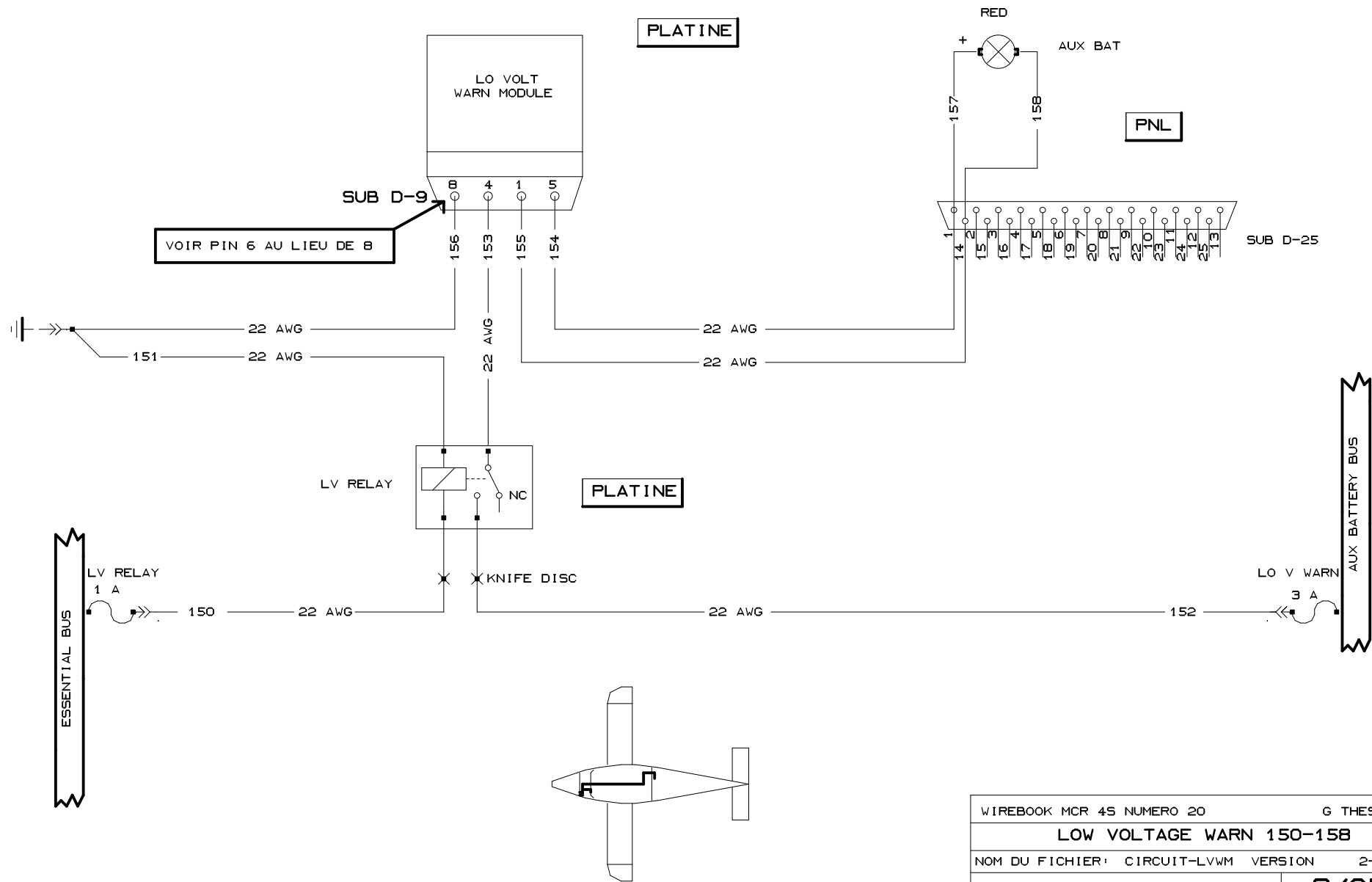
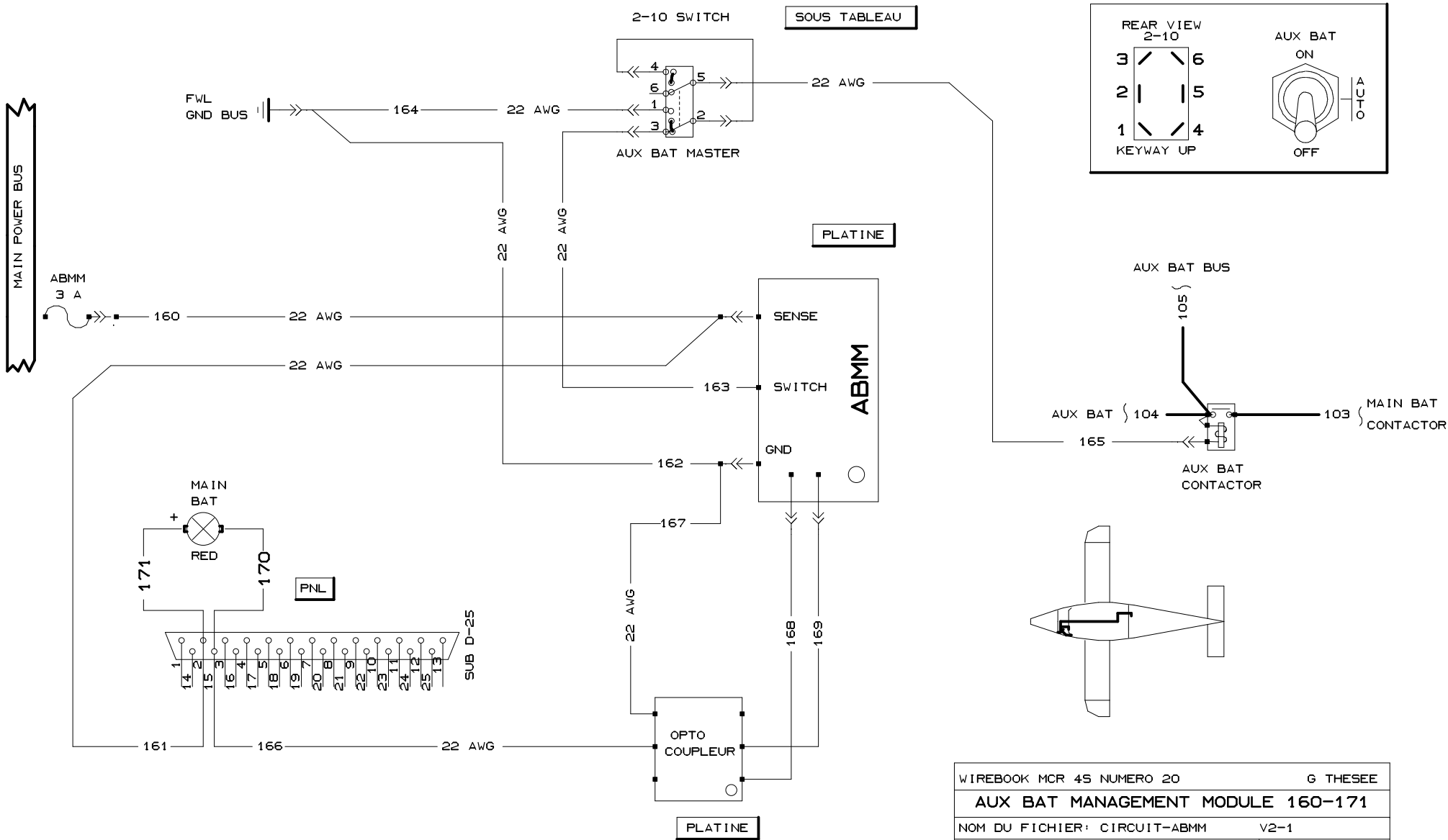


MCR 4S POWER DISTRIBUTION DIAGRAM VERSION 0.1.1
 AUXILLIARY BATTERY MANAGEMENT MODULE W/ SWITCH
 AEC / G.THESEE november 18 2002







WIREBOOK MCR 45 NUMERO 20	G THESEE
AUX BAT MANAGEMENT MODULE 160-171	
NOM DU FICHIER: CIRCUIT-ABMM	V2-1
DATE: 19/05/2003 MOD 17/11/2003	4/25